



Instructions for use

PAX Rope hose holder FW Hamburg

Item No.: 123021108







PAX Rope hose holder FW Hamburg

Item No. 123021108

Fixing the hose to the railing or fixation point is quite easy.

 5 x 82 cm  0,26 kg

 high-viz-yellow

 Gurtband





Instructions for use

PAX Rope hose holder FW Hamburg

Item No. 123021108

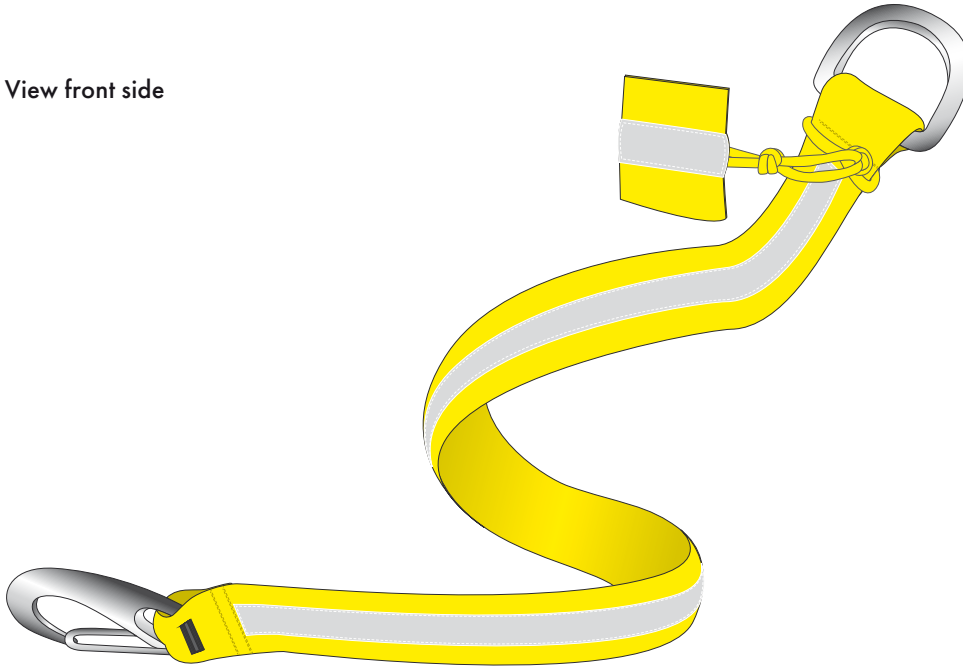
Field of application:

Securing of C or B hoses in stairwell and landing. The rope hose holder is constructed for a load of up to 250 kgs. With the conception great stress was laid on the rope hose holder to be used by the leading squad without having to take off the thick firefighting gloves.

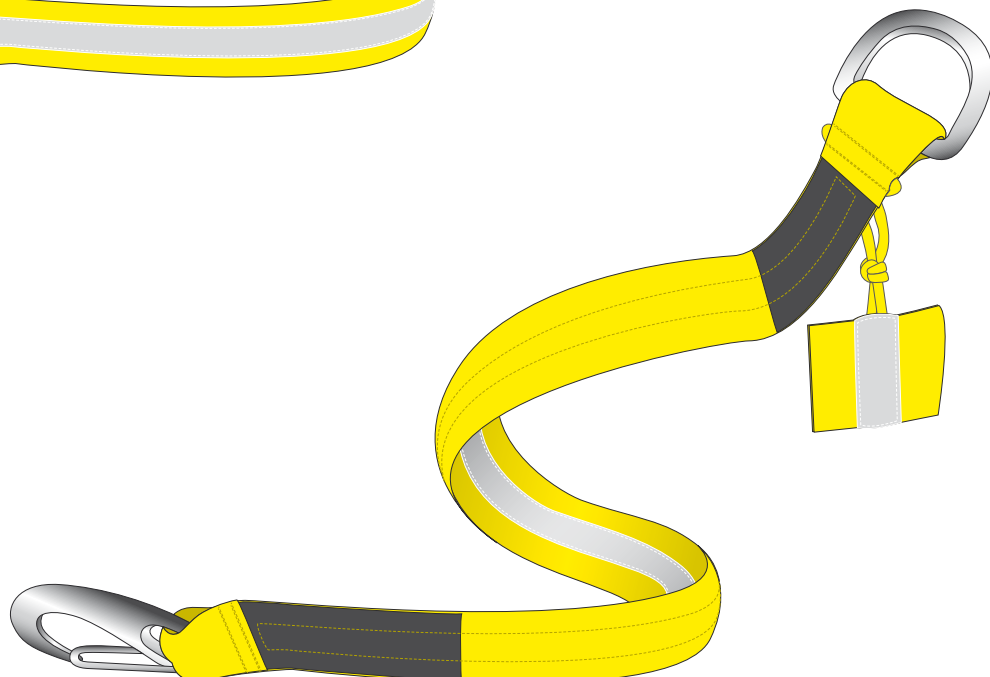
Condition on delivery



View front side



View back side



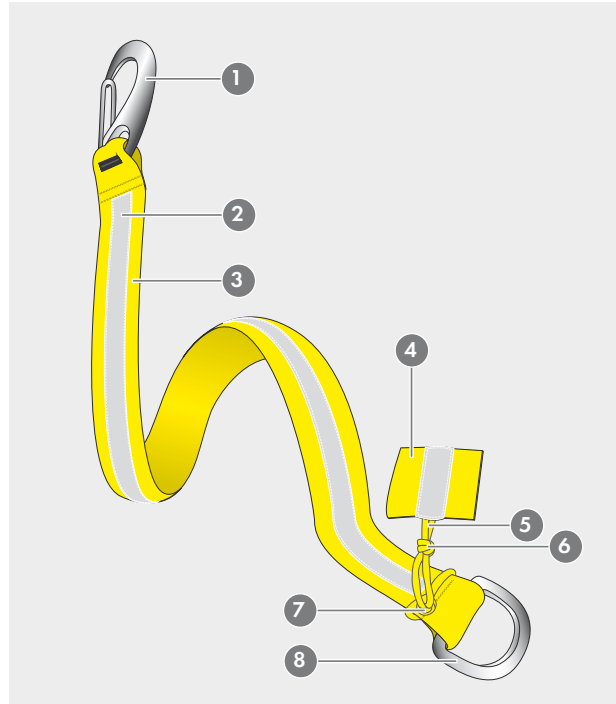
Instructions for use

PAX Rope hose holder FW Hamburg

Item No. 123021108

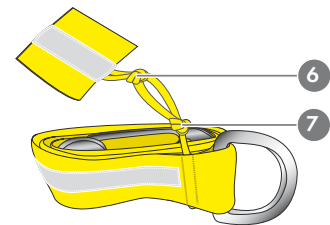
Description of the components:

- 1 Carabiner
- 2 Reflective strip
- 3 Belt strap
- 4 Grab handle loop
- 5 Rubber rope
- 6 Upper knot
- 7 Lower knot
- 8 D-ring



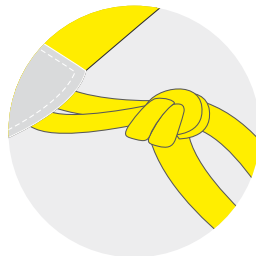
Knot 6 7 in rubber rope:

The *rope hose holder can be fixed to different equipment objects (e.g. shut-off device / steel clevis of branch / hose connection etc.), if the knots of the rubber rope are adjusted accordingly.



Upper knot 6

Determines size of opening between the knots.

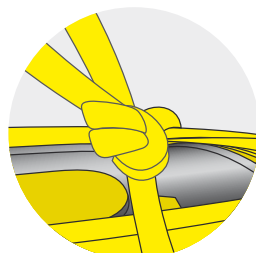


After delivery user should adjust the knots according to his requirements.

For preparation just put rubber rope with grab handle loop over coiled rope hose holder.

Lower knot 7

Safe fixation of the belt strap after having it coiled.



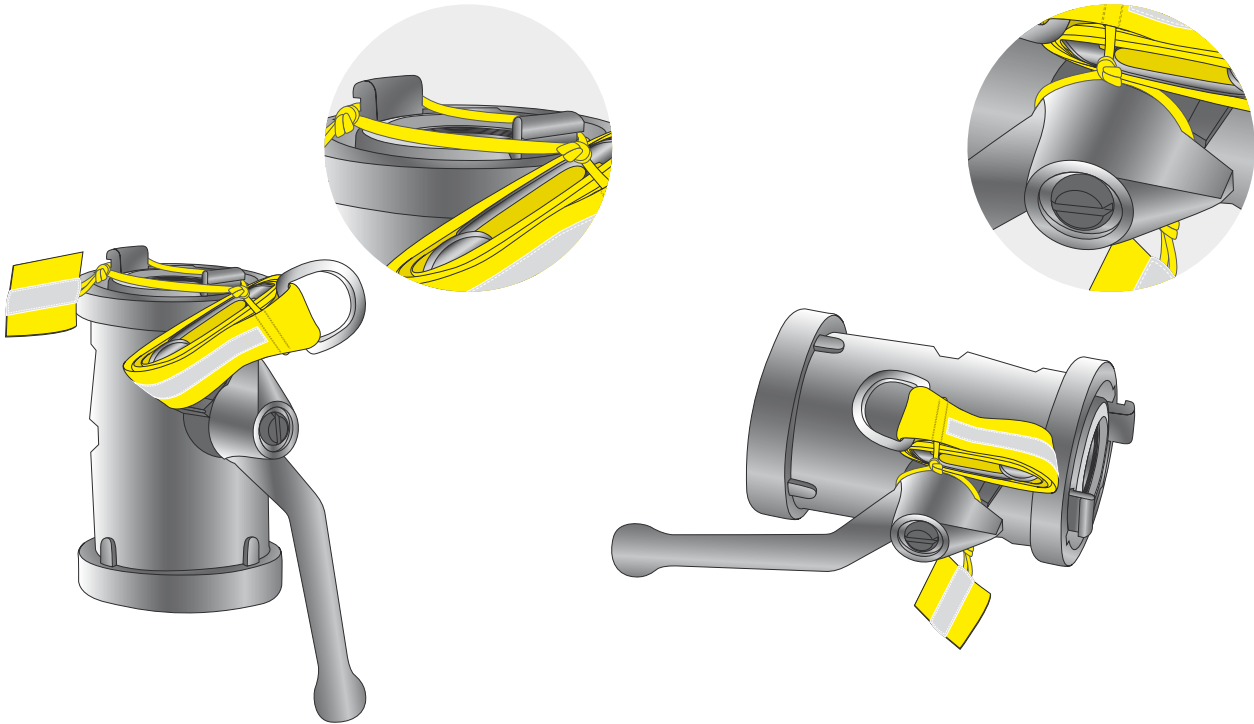


Instructions for use

PAX Rope hose holder FW Hamburg

Item No. 123021108

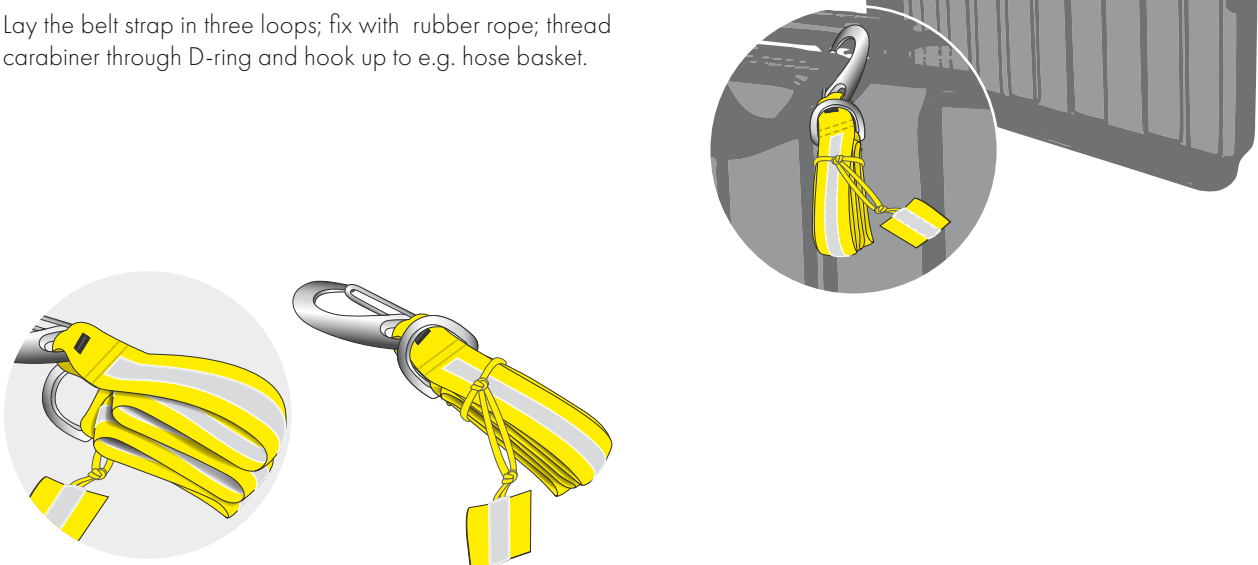
Examples of attachment:



Fixing options:

1. At the hose basket:

Lay the belt strap in three loops; fix with rubber rope; thread carabiner through D-ring and hook up to e.g. hose basket.



Instructions for use

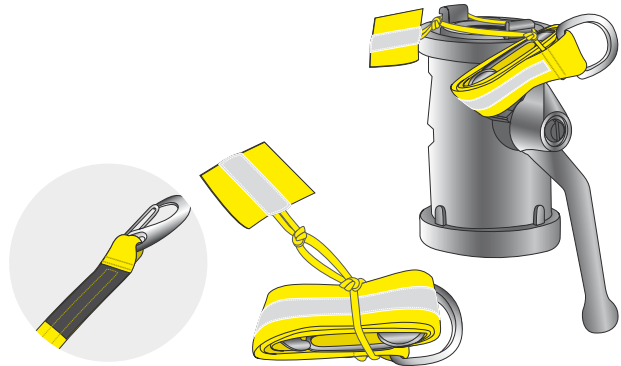
PAX Rope hose holder FW Hamburg

Item No. 123021108

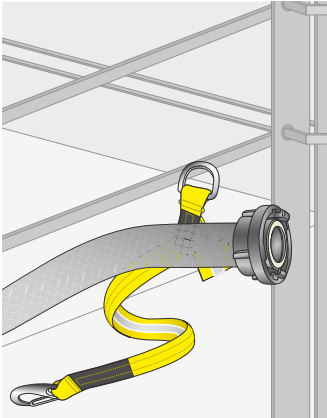
Fixing options:

2. At equipment objects:

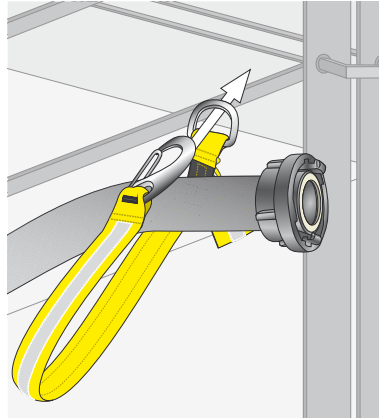
Lay carabiner onto the black area, coil tightly and fix with rubber rope. After that slip rubber rope over equipment object.



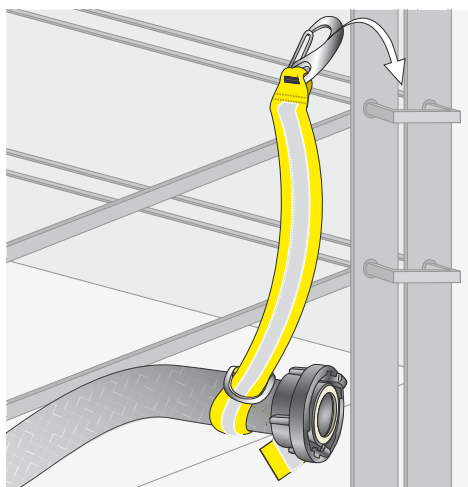
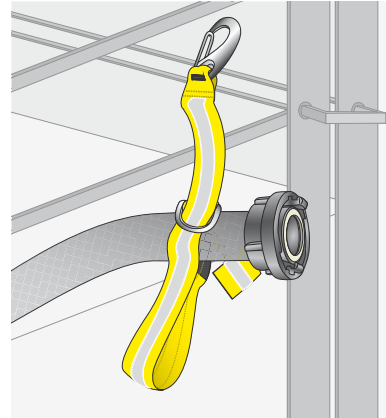
Application:



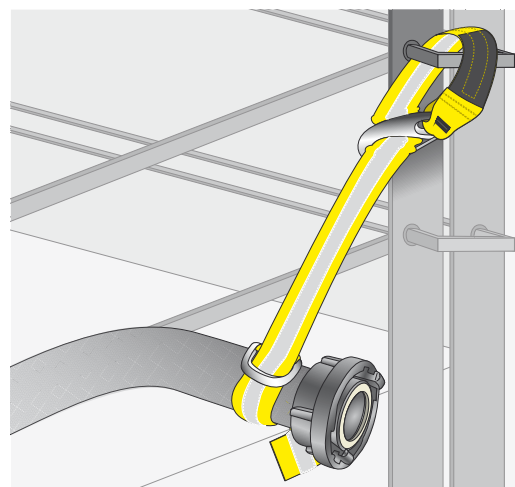
1. Place D-ring to hose connector.



2. Thread carabiner through D-ring.



3. Lay belt strap around banister and hook up carabiner to belt strap.



ATTENTION!
Never hook up carabiner to the D-ring!

*Development of this item: Arne Semmelhack



X-CEN-TEK GmbH & Co. KG

Westerburger Weg 30
D-26203 Wardenburg
Germany

Phone: +49 (0)44 07 - 7 14 76 - 0
Fax-No.: +49 (0)44 07 - 7 14 76 - 99
Email: info@pax-bags.de



www.pax-bags.com

